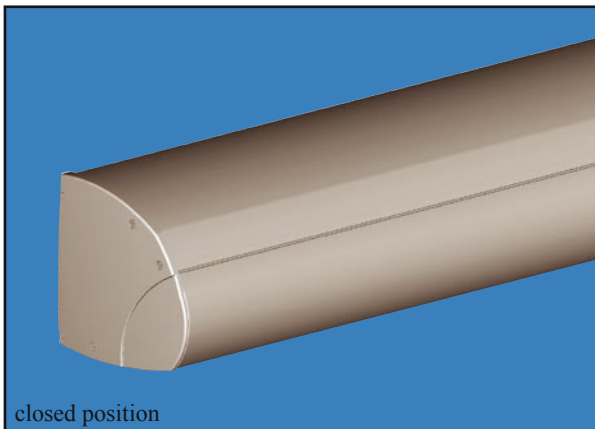
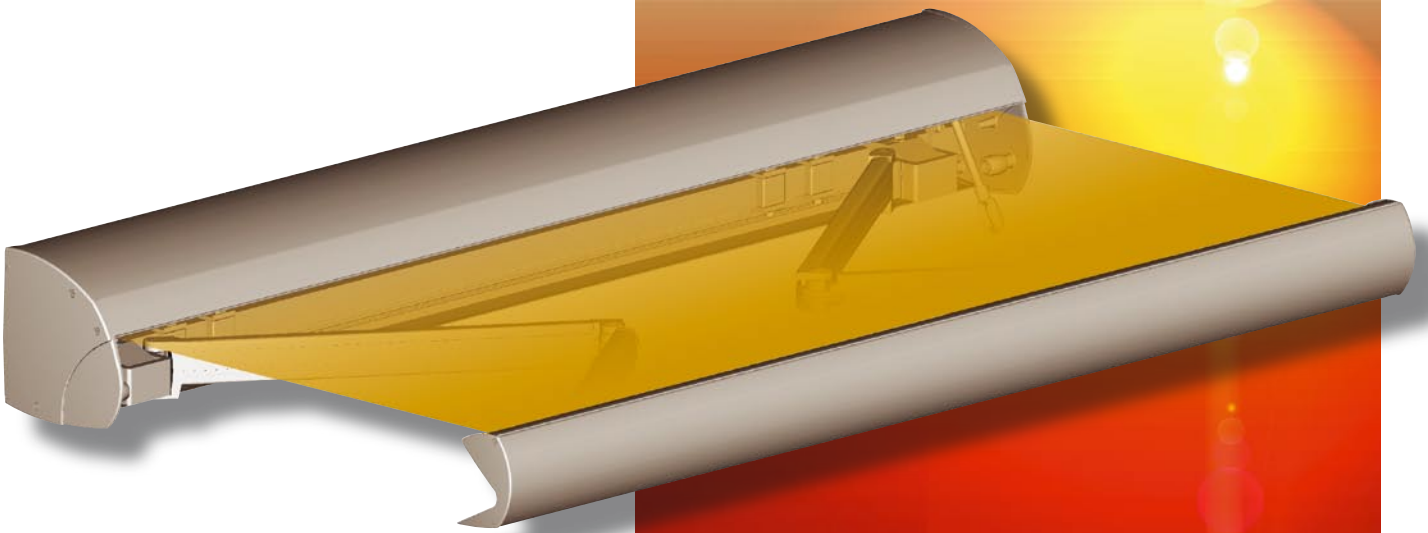


CASSETTE AWNING 265



closed position

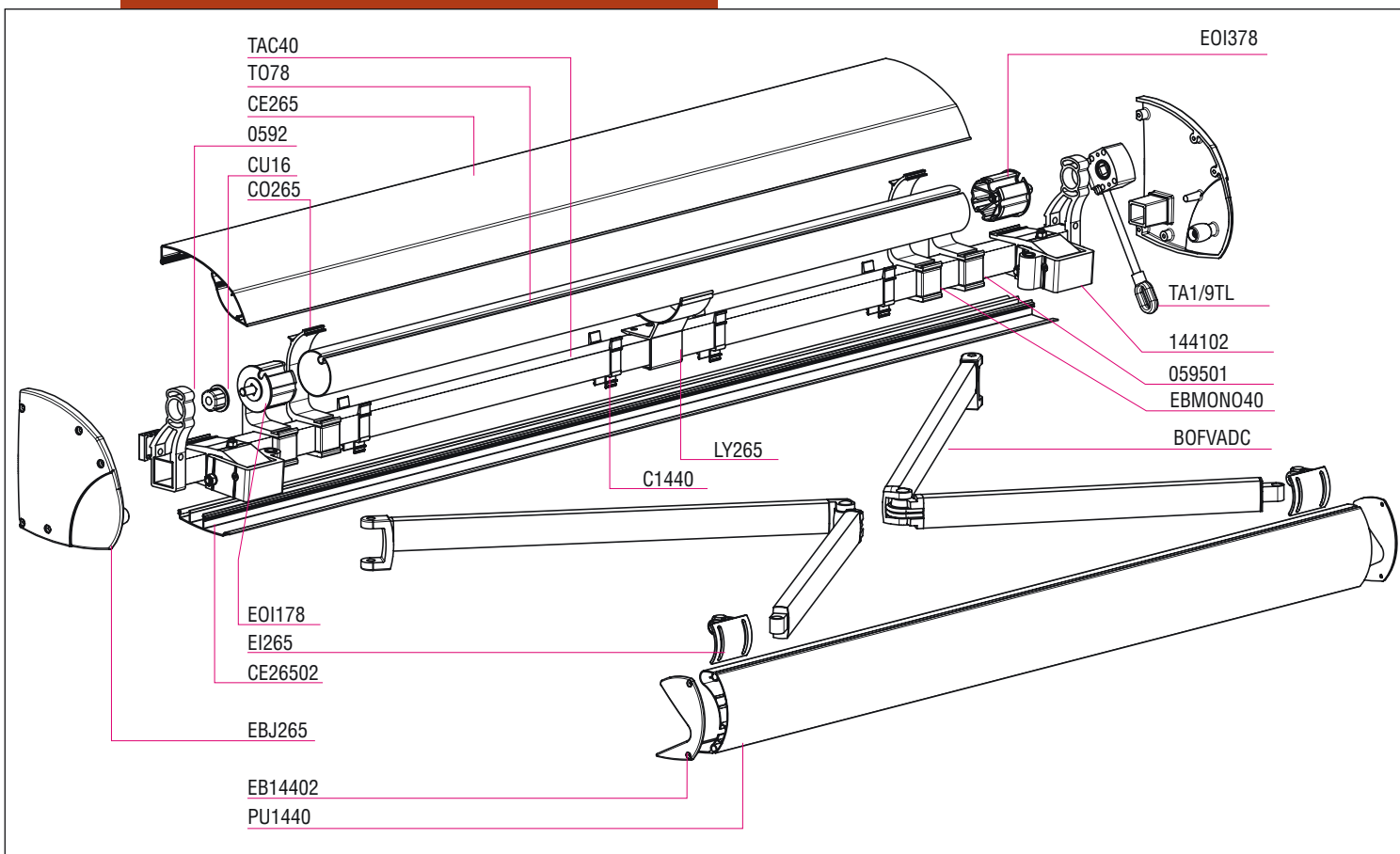
Installation on facade only

This self supporting cassette is positioned on its independent supports.
Additional supports can be installed to ensure the rigidity to the awning

Advantages :

- * aesthetic
- * multifunctional supports
- * adjustment of angle very easy

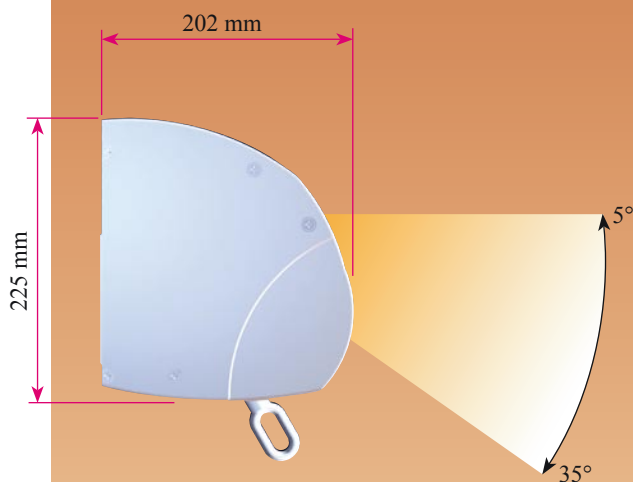




CASSETTE AWNING 265

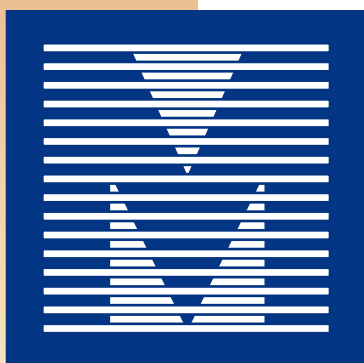
Maxi dimension of use

- length : 5,98 m
- projection : 3 m



Adjustment of angle :

easy and quick, the adjustment of the pitch is made by only one screw per armbracket.



Parts in extruded aluminium for a very high mechanical resistance. The assembly of all the components on the square tube provides to the whole awning cassette a perfect rigidity.

The arms : they combine robustness and power. They are made of parts and extrusions in aluminium of a very high mechanical resistance. All our arms are designed according to the German TÜV standard as it is the most demanding standard in Europe today.

