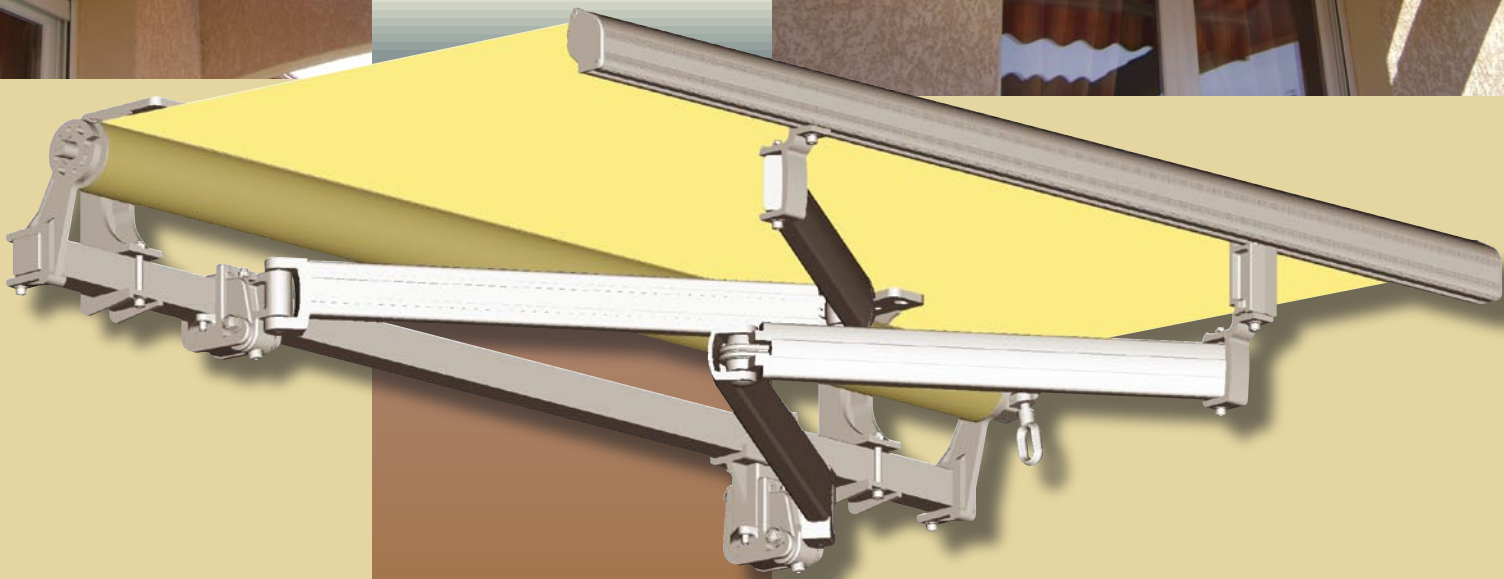


**MONOBLOC
530
AWNING**

**Small width
and big projection**

The monobloc 530 enables projection larger than width

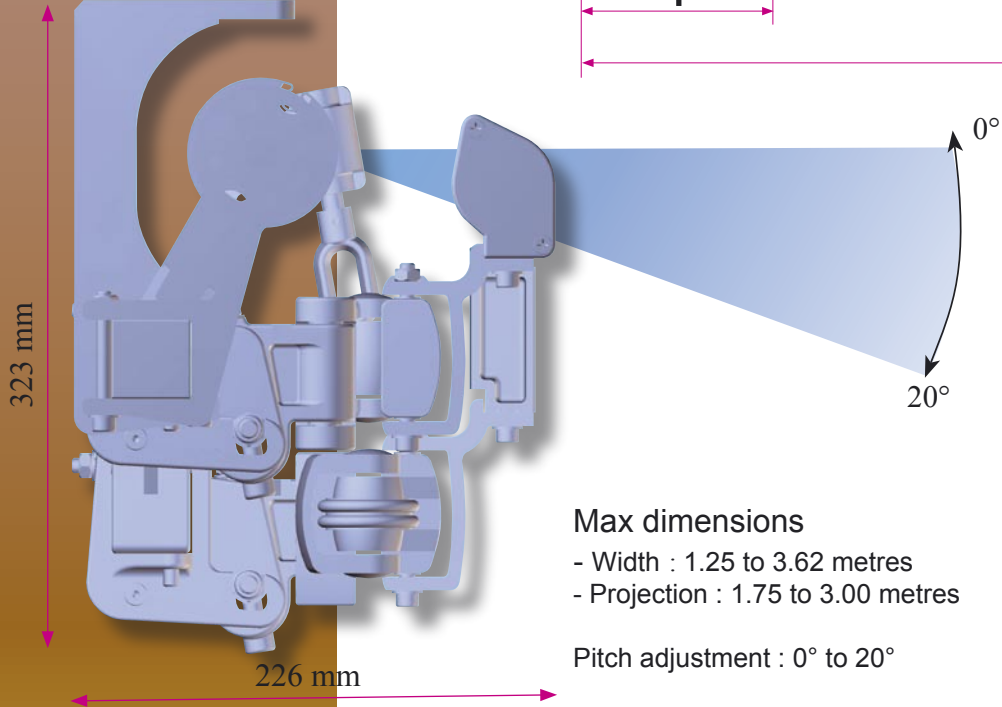
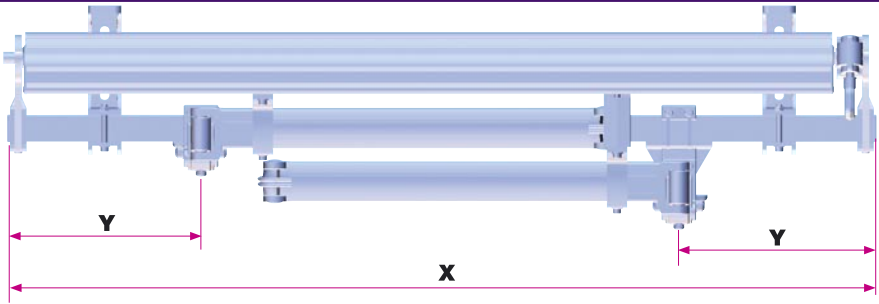
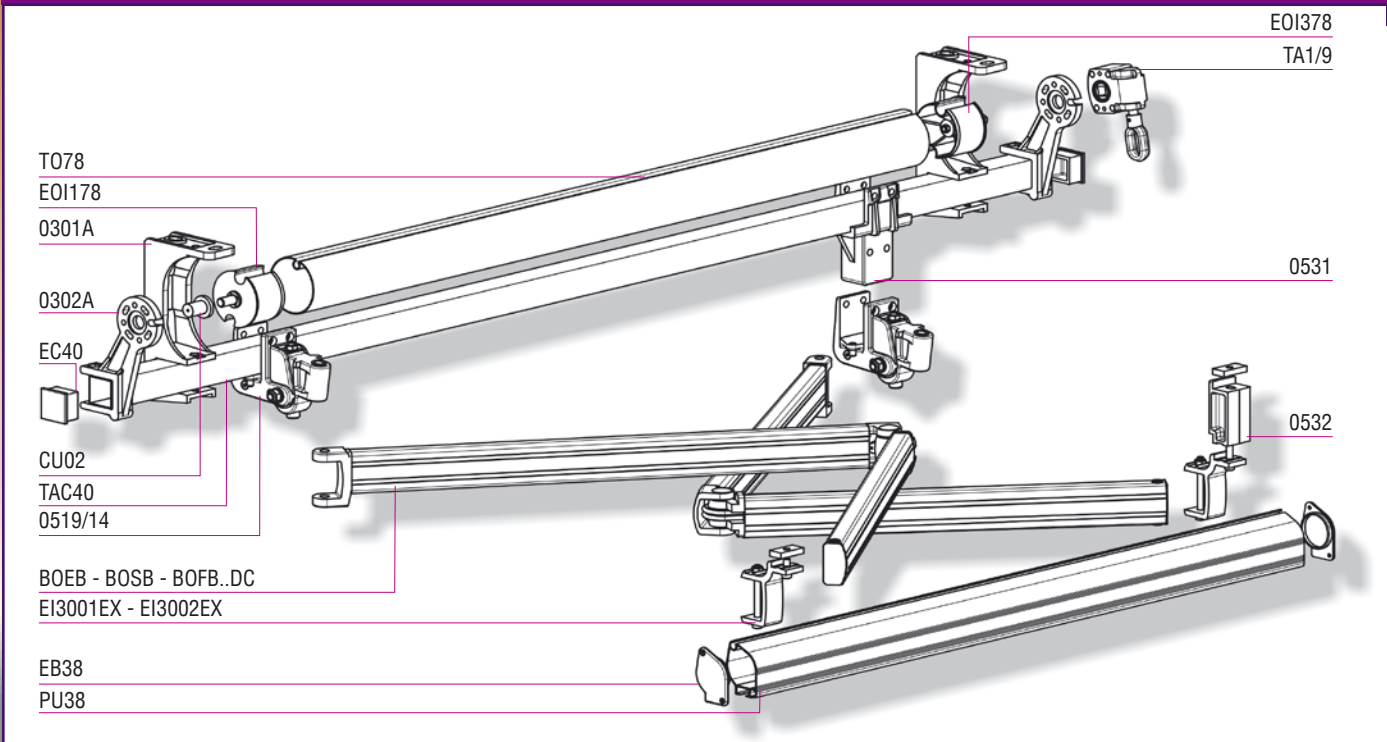


ADVANTAGES :

- Big projections by small widths
- High resistance
- Easy to assemble and fit



Monobloc 530 awning



Mini Width X	Projection	Support position Y
1,00	1,25	0,15
1,13	1,50	0,15
1,26	1,75	0,15
1,39	2,00	0,15
1,51	2,25	0,15
1,64	2,50	0,15
1,74	2,75	0,15
1,89	3,00	0,15

Max dimensions
 - Width : 1.25 to 3.62 metres
 - Projection : 1.75 to 3.00 metres
 Pitch adjustment : 0° to 20°

