

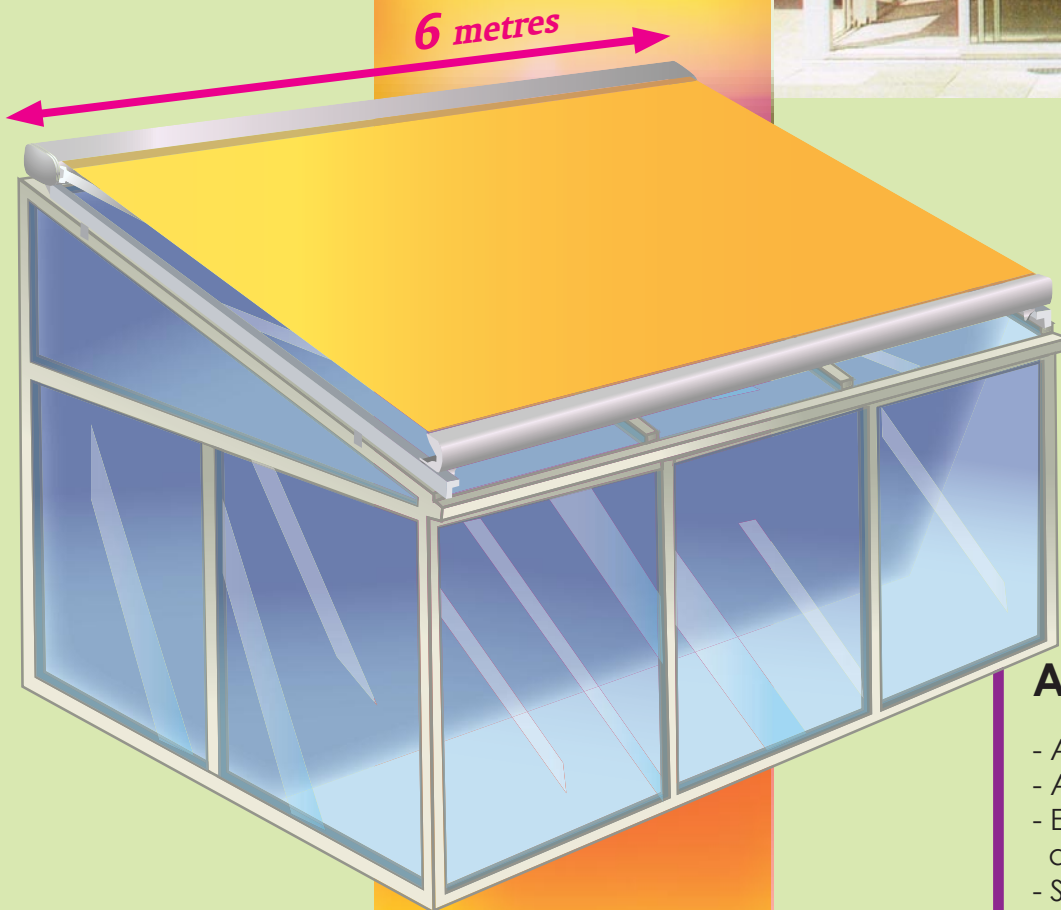
**VERANDA
AWNING
with arms**

**Fit out all
kind of veranda**

The Veranda awning is a system that has been designed especially for conservatories and pergolas.

It is made entirely of powder-coated aluminium.

The assembly is very easy and quick. It is the best system for conservatories and pergolas because it provides the customer with a highly aesthetic covering, providing a convivial atmosphere whatever the season. The operation with a motor makes it very easy to use.

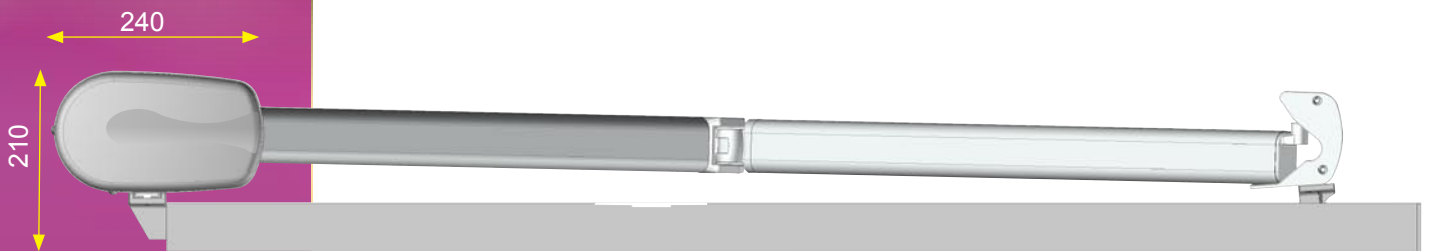
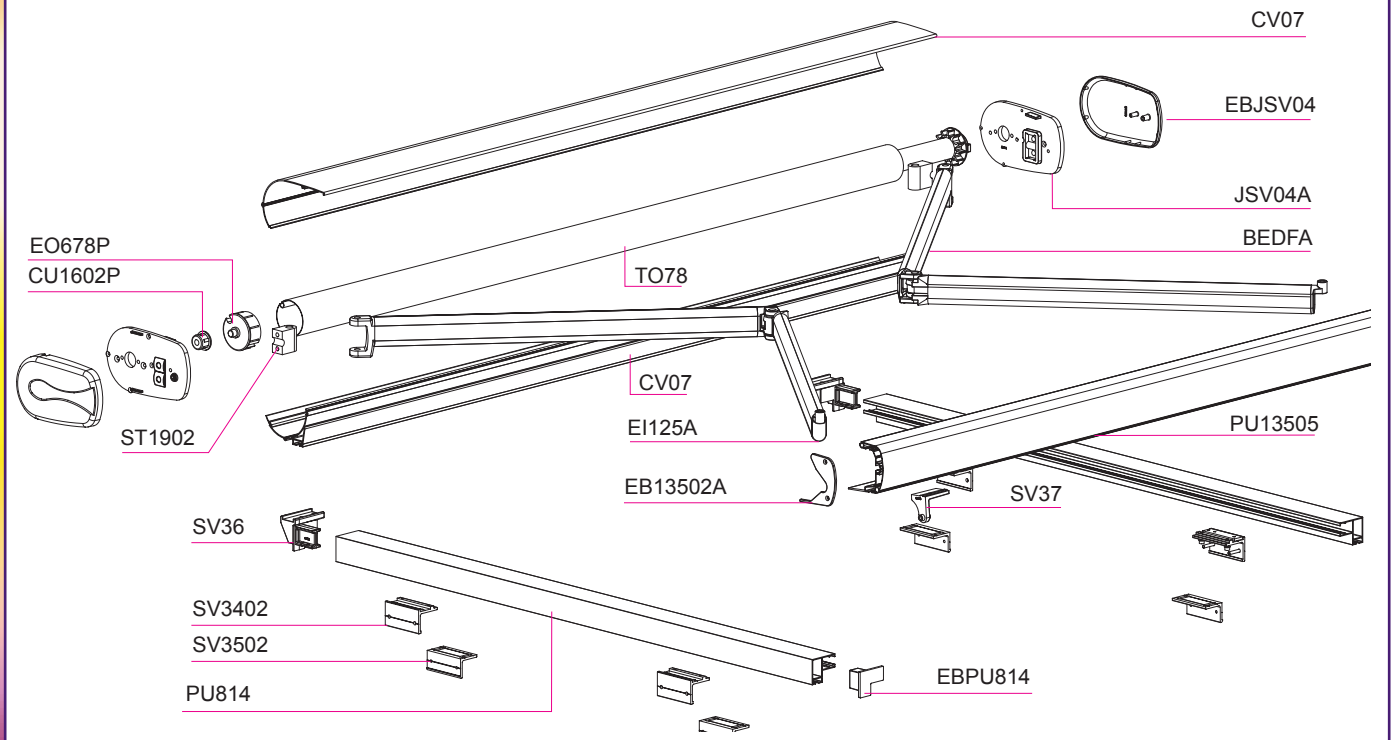


ADVANTAGES :

- Adjustable side guidings
- Aesthetic
- Easy assembly and setting up
- Suitable for all conservatory types
- Automation (Motor Operated)
- With folding arms



VERANDA AWNING WITH ARMS



Use limits :

Projection : 3,50 m
Width : 6,00 m

Cassette dimension :

Heigth : 210 mm
Width : 240 mm

Arms :

The use of folding arms ensures a perfect guide of the front bar, reduces vibrations and increases the tension of the fabric.

Supports :

The awning is fitted on the conservatory profiles. Several types of supports are available for fixing (depending on the shape of the profiles of the conservatory roof).

The compact cassette :

Provides protection for the fabric in the closed position.

